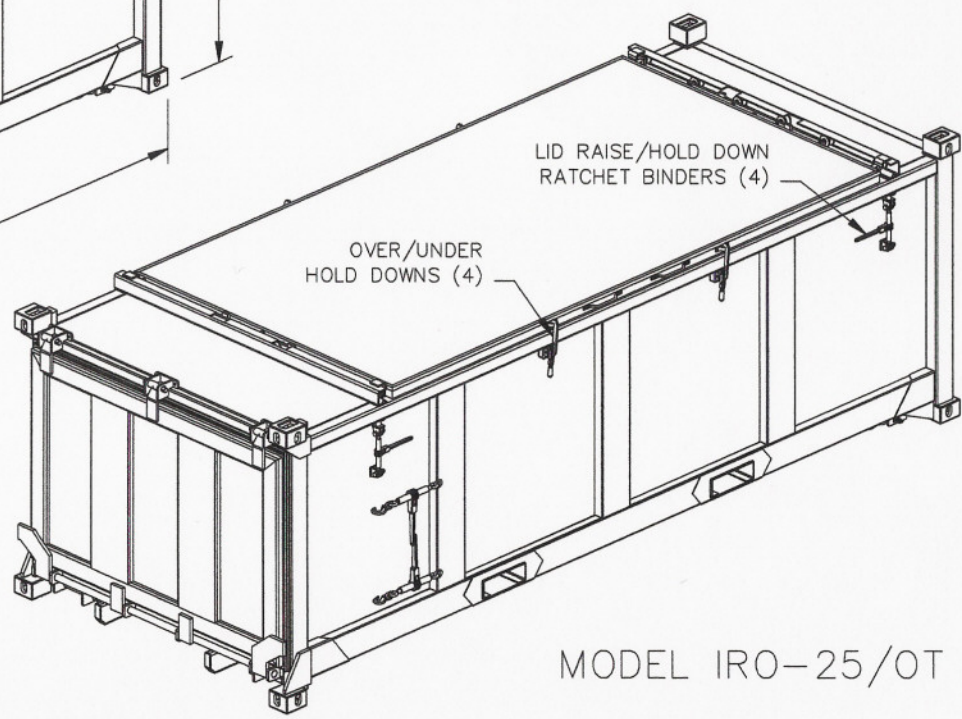


INSIDE VOLUME



MODEL IRO-25/OT

B	N/A	2/25/03	ADDED LID OPENING DIMENSIONS	TAF
A	N/A	8/9/00	INCLUDED RATCHET & DETACH HOLD DOWN DETAIL	TAF



**WASTEQUIP
ACCURATE**

THIS DRAWING AND ALL THE INFORMATION CONTAINED HEREIN IS THE EXCLUSIVE PROPERTY OF ACCURATE INDUSTRIES. THIS DRAWING CANNOT BE LOANED, COPIED OR ANY INFORMATION DISSEMINATED IN ANY FASHION WITHOUT THE EXPRESS WRITTEN PERMISSION OF ACCURATE INDUSTRIES.

8' X 6 1/2' X 20' INTERMODAL CONTAINER WITH ALUMINUM SIDE TO SIDE ROLLING LID

DRAWN	TAF	SCALE	N.T.S.	JOB/ORDER #	5SA	SHEET#	0144B
CHK'D		DATE	3/27/00	FILE#	5SA0144B	DWG. FMT.	2002
APP'D							